**Inductive Shaft encoder, Absolute**

- 58mm diameter
- Extremely robust design
- Shock and vibration protected
- Inductive scanning

EnDat 2.2**Mechanical data**

| | |
|--------------------------------------|-------------------------|
| Operating temperature | -40 °C...+100 °C |
| Ingress protection class [IEC 60529] | IP 66 and IP 67 |
| Vibration [IEC 60068-2-64] | ≤ 300 m/s ² |
| Shock [IEC 60068-2-27] | ≤ 2000 m/s ² |
| Shaft load (axial/radial) | 100 / 125 N |
| Rotational speed max | 12000 rpm |
| Shaft material | Stainless steel |
| Cover material | Aluminium (anodized) |
| Weight | Appr. 340 g |

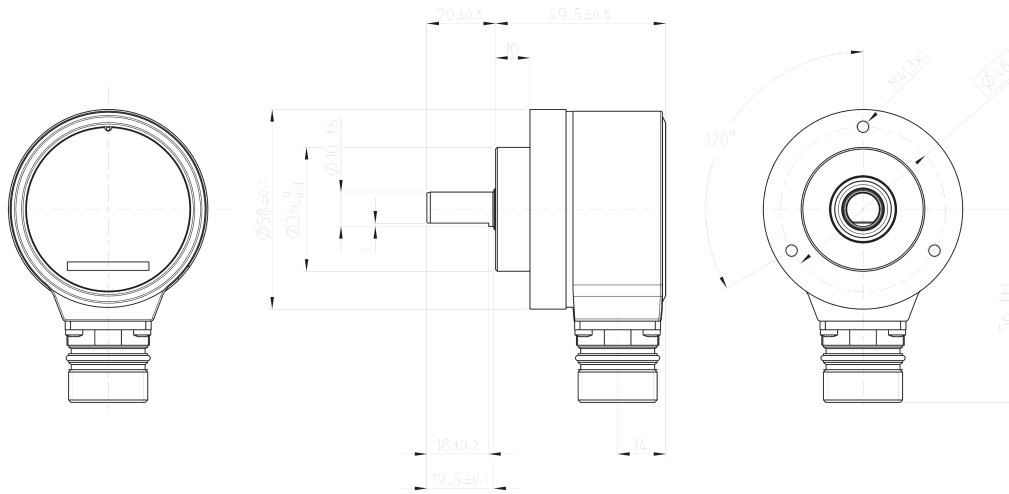
Encoder configuration

| | |
|-------------------------------|---|
| Code key | 60853715 |
| Type | ISA |
| Model | 608 Multiturn |
| Shaft type | Ø10 mm shaft with face |
| Flange type | Clamping flange (61sp-type) |
| Incremental signal resolution | 32 ppr 1Vpp (Sinusoidal) |
| Power supply | 3.6-14 Vdc |
| Output interface | EnDat 2.2 with additional 1Vpp signals |
| Absolute resolution | 25 bit (13 bit singleturn + 12 bit multiturn) |
| Connection type | M23 connector 17-pin |
| Connecting direction | Radial |

Electrical data

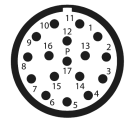
| | |
|-------------------------------|-----------------|
| Polarity protected | No |
| Current consumption (No load) | 100 mA at 5 Vdc |
| Absolute accuracy | ± 180 arcsec |

Dimensions



Pin Configuration

| Function | Pin / Cable colour |
|-----------------|----------------------|
| 0 Volt | 10 / White-Green |
| 0V sense | 4 / White |
| +E Volt | 7 / Brown-Green |
| +EV sense | 1 / Blue |
| A | 15 / Green-Black |
| A inverted | 16 / Yellow-Black |
| B | 12 / Blue-Black |
| B inverted | 13 / Red-Black |
| Data | 14 / Grey |
| Data inverted | 17 / Pink |
| Clock | 8 / Violet |
| Clock inverted | 9 / Yellow |
| Internal shield | 11 / Internal shield |
| Chassis | Shield |



Order information

Part number

821722-01